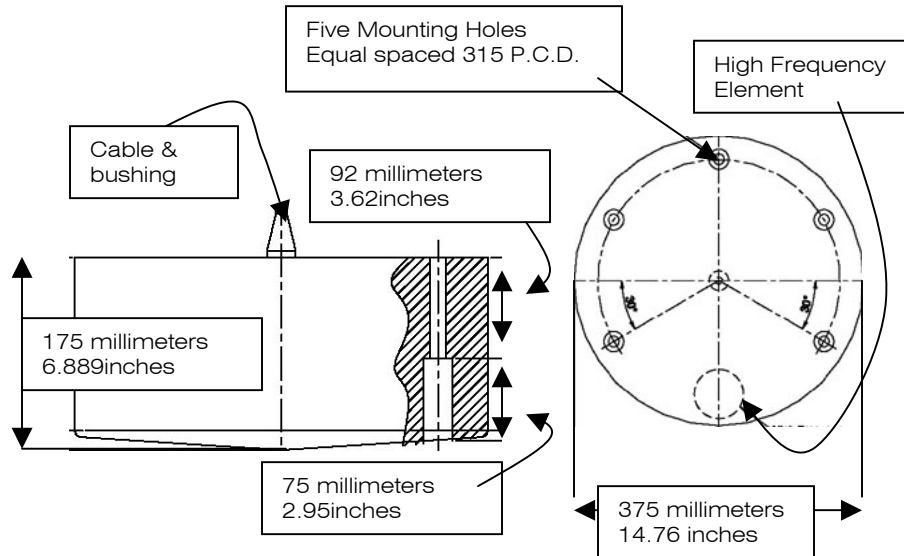


HM210/12-8/20



Mounting will require five socket head cap screw-hex bolts, M12 x 110 millimeters long (0.5" x 4.5"). Not included.

Performance Data

Frequency	210kHz	12kHz
Beam Width	8°	20°
Q (transmit)	7.5	8
Rated RMS Power	500 W	5000W
Balanced Impedance	100 ohms	100ohms
Bandwidth -3dB	28kHz	1.5kHz
Acoustic Window Material	Urethane	Urethane

At a weight of 40Kg, this transducer is a high power, long range directional array operating at 12 & 210 kHz. Originally designed for over-side installation, the HM210/12-8/20 can also be hull mounted. The nodal mounted elements are extremely robust, capable of withstanding high slamming forces, highly efficient and provide an excellent front to back ratio. Standard cable length is 10 meters.