

# HMBB12-20

AIRMAR FORM #17-8025-1 REV 03

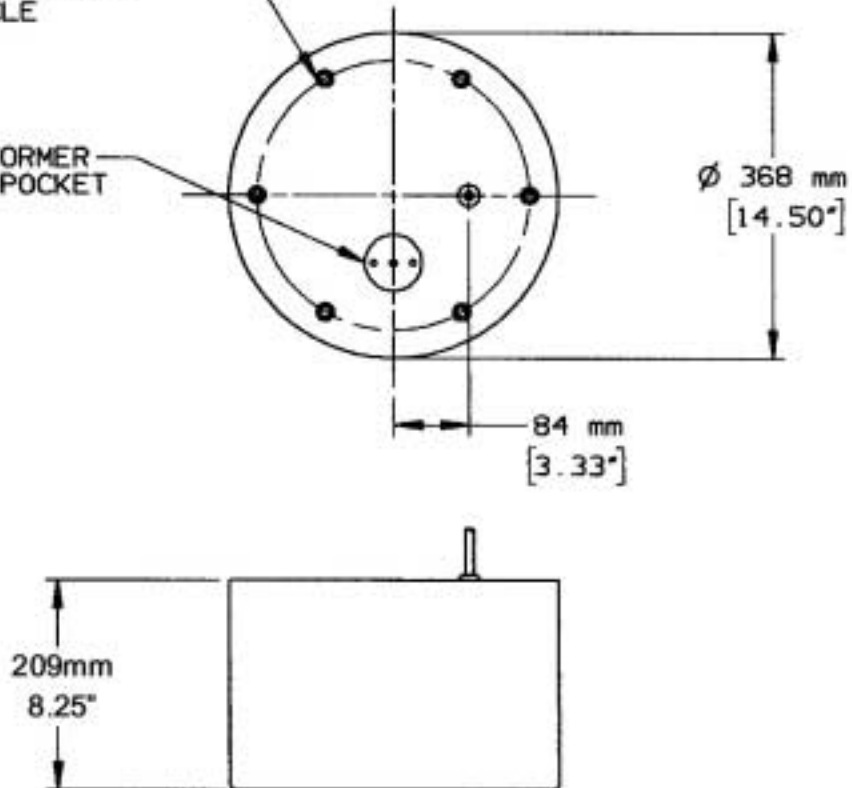
| THIRD ANGLE PROJECTION | REVISIONS |                       |         |          |         |
|------------------------|-----------|-----------------------|---------|----------|---------|
|                        | REV       | DESCRIPTION           | ECD NO  | DATE     | CHG/CHK |
|                        | 01        | RELEASE TO PRODUCTION | 98E0571 | 07/24/98 | FSC/ALN |

**NOTE**

1. TRANSDUCER HOUSING MATERIAL: CAST URETHANE

1/2-20 UNF STAINLESS STEEL  
THREADED INSERT  
6 PLACES EQUALLY SPACED  
ON A  $\phi$  305 mm [12.00"]  
BOLT CIRCLE

TRANSFORMER  
ACCESS POCKET



| UNLESS OTHERWISE SPECIFIED  | SIGNATURE                  | DATE     |
|---|----------------------------|----------|
| DIMENSIONS ARE IN INCHES<br>TOLERANCES ON<br>2 PL DECIMALS $\pm 0.02$<br>3 PL DECIMALS $\pm 0.005$<br>ANGLES $\pm 1/2^\circ$<br>FRACTIONS $\pm 1/32$<br>MIN. SURFACE FINISH | DRAWN A. BAIKOV<br>CHECKED | 03/07/03 |
|   |                            |          |
|   |                            |          |

**AIRMAR** AIRMAR TECHNOLOGY CORPORATION  
 89 MEADOWBROOK DR  
 MILFORD NH 03055-4818 USA  
 TEL: 603-673-9570 FAX: 603-673-4624

TITLE  
**OUTLINE DRAWING,  
 M74 HOUSING**

MATERIAL  
 SEE NOTE 1

SIZE **A** SCALE: NONE NUMBER 92-211-01 REV A  
 SHEET 1 OF 1

THIS DOCUMENT AND THE DATA DISCLOSED HEREIN OR HERewith IS NOT TO BE REPRODUCED, USED, OR DISCLOSED IN WHOLE OR IN PART TO ANYONE WITHOUT THE PERMISSION OF AIRMAR. DO NOT SCALE DRAWING