



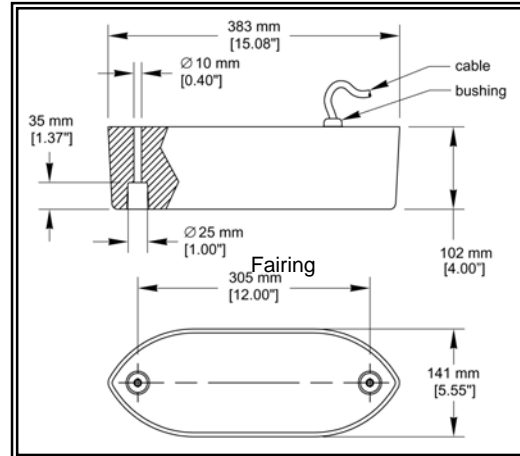
odomhydrographic.com

Odom Hydrographic Systems, Inc.  
 1450 Seaboard Avenue  
 Baton Rouge, LA. 70810 -6261  
 225.769.3051, Facsimile 225.766.5122

## OTSBB200/33-5/23



Weight = 7.8Kg.



### Performance Data

|                          |                       |                       |
|--------------------------|-----------------------|-----------------------|
| Frequency                | 33kHz                 | 200kHz                |
| Beam Width               | 23°                   | 5°                    |
| Q (transmit)             | 6.4                   | 2                     |
| Rated RMS Power          | 1,000 W               | 2,000 W               |
| Balanced Impedance       | 60 ohms               | 100 ohms              |
| Peak Figure of Merit     | 16db                  | -8                    |
| Bandwidth                | 5kHz                  | 100kHz                |
| Acoustic Window Material | Urethane              | Urethane              |
| Cable Type               | C44 (2-18 & 2-22 AWG) | C44 (2-18 & 2-22 AWG) |
| Cable Size               | 11mm                  | 11mm                  |

The SEALCAST™ urethane streamlined housing is durable. The transducer can be mounted on the hull or over-the-side. The optional fairing is recommended for permanent installations and will not swell or rot. Excellent for deep-water surveys.