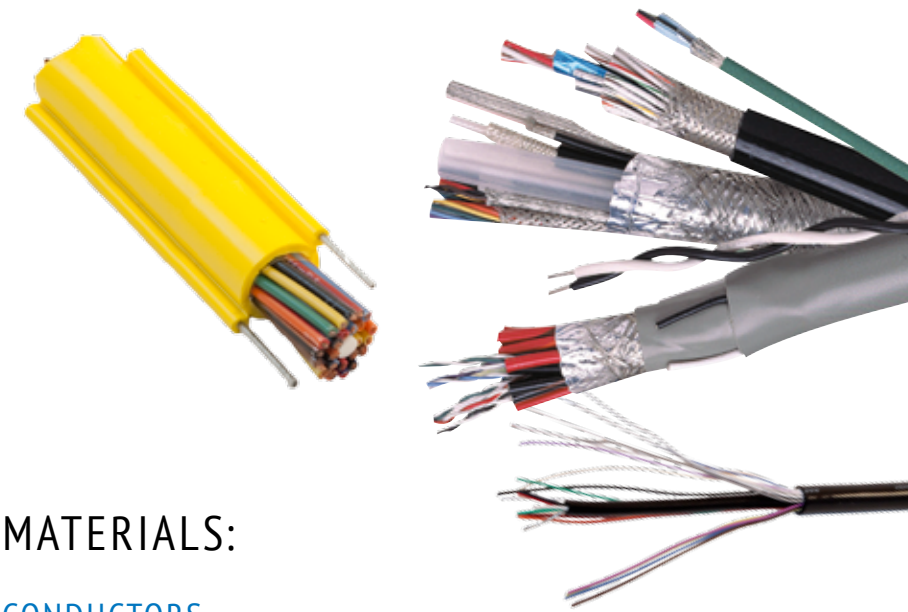


Standard and Custom Cable Capabilities:

Industry Rated Standard Cables:
UL, CSA, ETL, Class 1 Division 2



ENGINEERING CAPABILITIES

Product Design

3D Modeling

Prototyping

Testing

(Mechanical, Electrical, Fatigue, Pressure, Temperature Cycling, EMI)



MATERIALS:

CONDUCTORS

Copper, fiber optics, high strength alloys and most metal conductors

INSULATIONS

FEP, PFA, Tefzel, Polyolefin, Polypropylene, TPR, TPE-O, Polyurethane, PVC, tape wrap, cross-linked, Halogen-free

SHIELDING

RFI & EMI tapes & braids, Stainless Steel, Bronze, Aramid Fiber, textile, conductive fabrics, tensile members

JACKETS

FEP, PFA, Tefzel, Polyolefins, Polypropylene, TPR, TPE-O, Polyurethane, PVC, tape wrap, cross-linked, Halogen-free

CONSTRUCTION:

CIRCUIT IDENTIFICATION

Spiral & longitudinal, numbering, lettering, sequential markings

MULTI-CORE

Shielded pairs, pairs with steel tubed fiber or copper, conductors with fiber optics, coaxial conductors & Aramid strength fibers, power cable, special shielding requirements, special color and special extruded shapes.

Whether traditional construction or hybrid, TCS can engineer the solution

FUNCTIONAL ENHANCEMENT

Strength members such as Kevlar, Vectran, Polyester, Nylon, Fiberglass Rod, Stainless Steel, water blocking solutions using Silicon, hot melt products, water swellable tapes & fillers, controlled buoyancy, coiled cables, high flex



TELEDYNE MARINE WORLDWIDE



Manufacturing and Sales Office
9215 Premier Row
Dallas, TX 75247
Tel: (214) 637-1381



Manufacturing and Sales Office
5304 Hubalta Road SE
Calgary Alberta Canada T2B 1T6
Tel: (403) 272-0318



Teledyne Cable Solutions Sales Office
14880 Skinner Road
Cypress, Texas 77429 USA
Tel: (214) 637-1381

Technical Support, Request for Quote, or Product information:

For Storm and VariSystems in Canada:
CableSolutionsSalesSupportCanada@Teledyne.com
1 (403) 272-0318

For Storm and VariSystems in USA:
CableSolutionsSalesSupportUSA@Teledyne.com
1 (214) 637-1381

For Storm and VariSystems Cable Assemblies – International:
CableSolutionsCableassemblies@Teledyne.com
1 (403) 272-0318

For Storm and VariSystems Multicore Cables – International:
CableSolutionsSalesSupportUSA@Teledyne.com
1 (214) 637-1381



Teledyne Marine | Global Headquarters

1026 North Williamson Blvd. Daytona Beach, Florida 32114 USA
Tel. +1 386 236 0780 • Fax +1 508-563-6444 • E-mail: teledynemarine@teledyne.com

Specifications subject to change without notice. ©2016 TELEDYNE MARINE
Other products and company names mentioned herein may be trademarks and/or registered trademarks.

www.teledynemarine.com

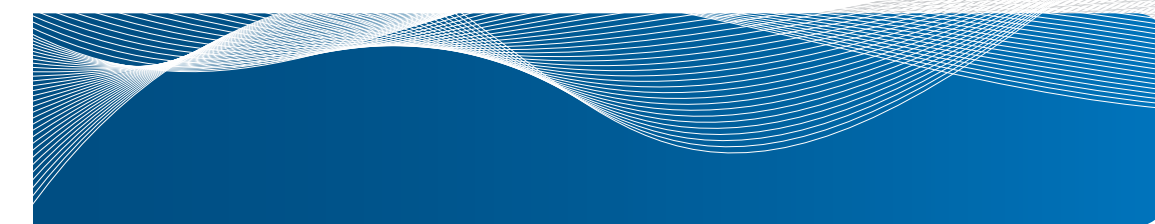
IFS D/N 855733 REV. C



BULK CABLES & ELECTRICAL ASSEMBLIES FOR DEMANDING ENVIRONMENTS



Teledyne Cable Solutions (TCS) is part of Teledyne Oil & Gas, an alliance of Teledyne Technologies companies that delivers high-reliability engineered solutions for interconnect, data networking and monitoring applications to OEM or end users.



A Teledyne Marine Company





Over Molding Capabilities

ADVANTAGES OF SOLID MOLDED CABLES

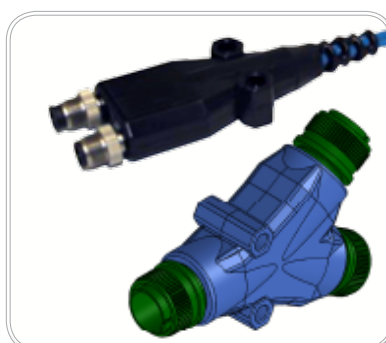
- Virtually unbreakable bond between connector and cable
- Superior strain relief improves cable life in high-flex applications
- Seals back end of connector and conductors and prevents failure due to corrosion
- Easy cable system identification with color coded overmolds



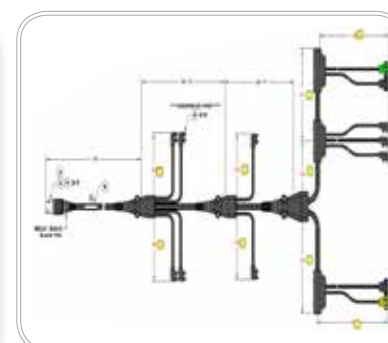
MANUFACTURING CAPABILITIES



Mil circular, rectangular, push-pull, plastic, RF, fiber optical, wet mate



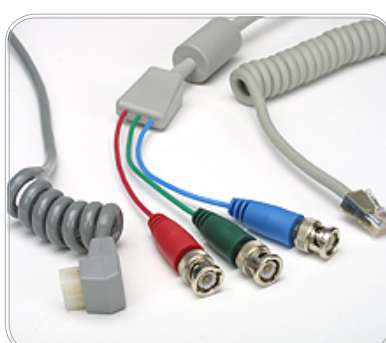
Transitions and break outs



CAD Design and Drafting capabilities



Encapsulation of mechanical components



In-house mold design with injection, pour, and vacuum molding techniques



3D Imaging and Printing



Extensive mold library available on multiple manufacturing sites

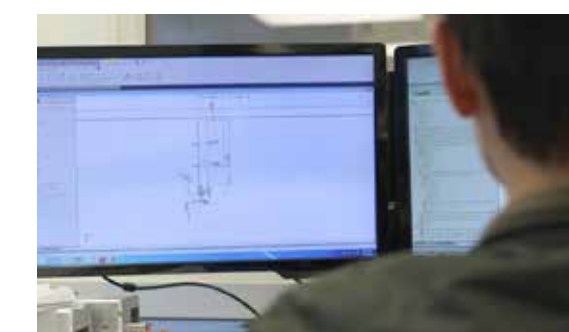


Mold designs to accommodate mechanical shapes



Low profile connector molding

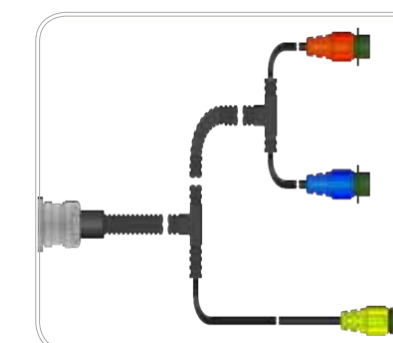
Harnessing, Reels and Electromechanical Assembly Capabilities:



ENGINEERING:

- Product and application design engineering
- 3D CAD modeling and plastic dynamics / mold-flow design
- Rapid prototyping and 3D printing
- Testing (Mechanical, Electrical, Fatigue, Pressure, Temperature Cycling, EMI)

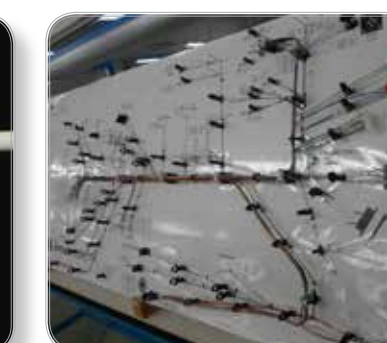
MANUFACTURING CAPABILITIES



A wide variety of molding, termination and customization capabilities



Termination of all types of connectors: crimp, solder, IDC or weld



Harness Assembly, open wire, braiding, heatshrink



Complete enclosure & box assembly design & production



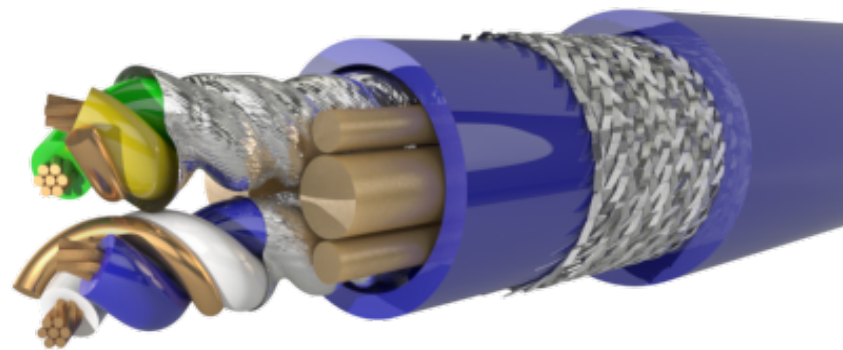
Signal or power multipoint distribution block



Heat shrinkable harness manufacturing



Cable Reels



CUSTOM CABLE AND ENGINEERED SYSTEM SOLUTIONS FOR MISSION CRITICAL APPLICATIONS

Teledyne Cable Solutions includes Storm Cable and VariSystems. With 50 years of dedicated experience in providing cable and interconnect solutions, Teledyne Cable Solutions meets challenges for application-specific, multi-core cables for harsh environments and complex ruggedized cable assemblies and harnesses.

MARKETS SERVED

Lighting, Marine, Transit, Defense, Security, Pipe Inspection, Agriculture, Mining, Land Oil & Gas, Lifting, Heavy Machinery, Industrial, Forestry, Transport, Medical, Instrumentation.

VALUE PROPOSITION

- Expanded manufacturing capacity with four locations in North America: Calgary, Canada; Dallas and Houston, Texas; and Tijuana, Mexico
- Access to materials science expertise and materials performance certifications through Teledyne Scientific Research Labs
- Security of supply through Teledyne Technologies
- Integrated turn-key engineered solutions
- Rapid prototyping fulfillment
- Short lead times
- Small minimum order quantities (MOQ)



Teledyne Cable Solutions (TCS) is an alliance of Teledyne Technologies companies that delivers high-reliability engineered interconnect solutions.

All Assembly conforms to IPC 610/620 - ISO-9001:2000 - ITAR / Canadian Controlled Goods - Continuous Improvement Programs



www.teledynecablesolutions.com