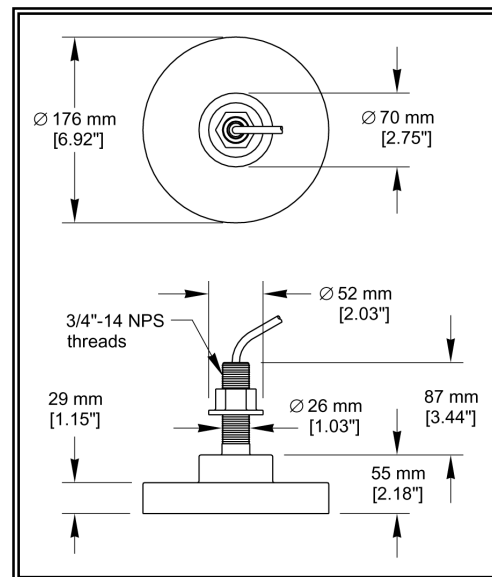


SM1000-1.7



Performance Data

Frequency	1000kHz
Beam Width	1.7°
Q (transmit)	
Rated RMS Power	
Balanced Impedance	60 ohms
Peak Figure of Merit	
Bandwidth	
Acoustic Window Material	Urethane
Threads	1/2" -14NPS
Cable Type	C33 (2-20 AWG)
Cable Size	7mm
Weight	

Designed for very narrow beam, shallow water applications. Housing is grounded to provide static shielding, constructed of bronze and the stem is threaded for easy mounting. An internal transformer allows for correct impedance to match the echo sounder.

SM1000-1.7_information_sheet

Stem Mount, 1mHz-1.7d, SS549, C33, 10m, 60ohm, 5P