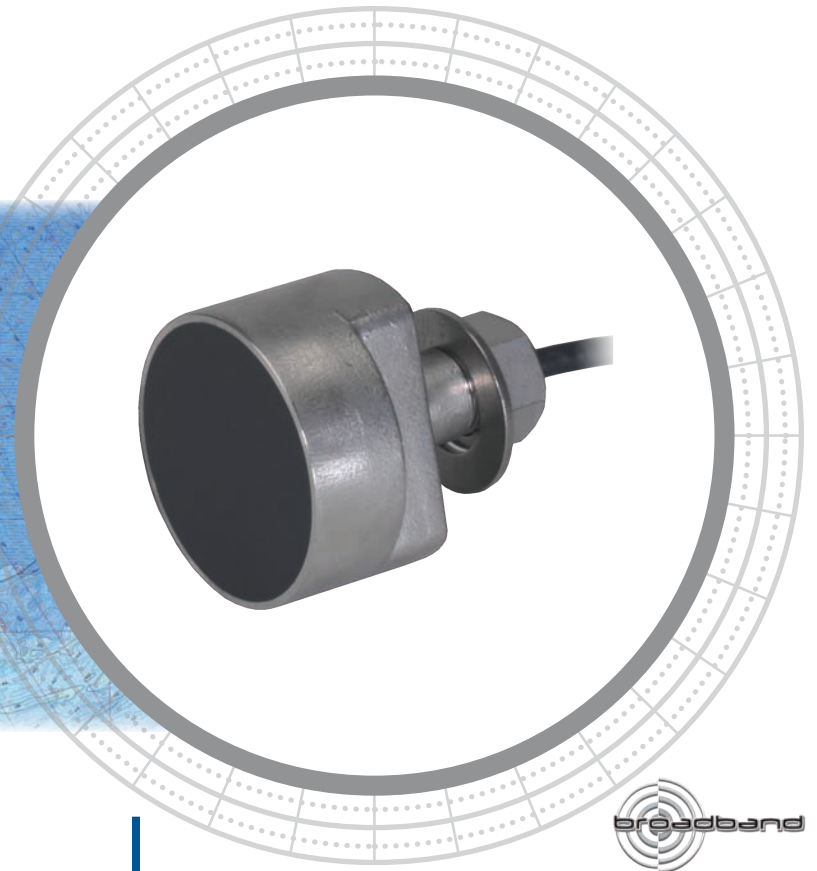


# SS510



## Innovative Technology

Airmar's commitment to innovative technology has produced the SS510. This broadband 200 kHz transducer has a Q of 2 and very good sensitivity. It enables users to perform accurate surveys in shallow-water with high resolution. This transducer can also be "chirped" with a long pulse over a wide-frequency band. Users with adjustable-frequency echosounders will be able to regulate the operating frequency and tailor the beamwidth to specific survey conditions.

## Options

- Impedance to customer's specifications using matching transformer

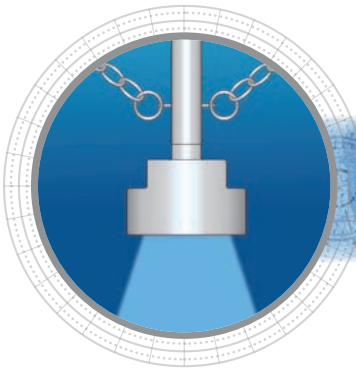
## Portable-Mount 500 W Broadband

### Applications

- River, harbor, and estuary survey

### Features

- Broadband with low Q of 2
- Minimal sidelobes for concentrated energy on target providing excellent definition
- Short, threaded stem simplifies attaching to portable-mounting apparatus
- Internal transformer provides impedance match to echosounder and allows use of longer cable
- 500 W RMS, power rating is at 2% duty cycle
- Robust, stainless-steel housing

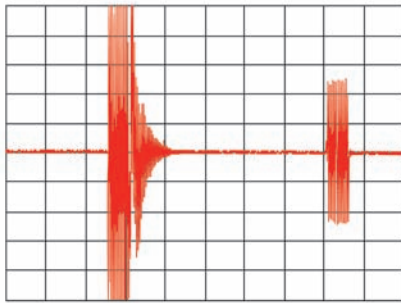


## Technical Information

Frequencies	Configuration	Beamwidth (@-3 dB)	RMS Power (W)	FOM (dB)	Q	Series Impedance (R-jX)
200 kHz-BCIq Broadband		9°	500 W	-16	2	60-j0(t)

### Echogram

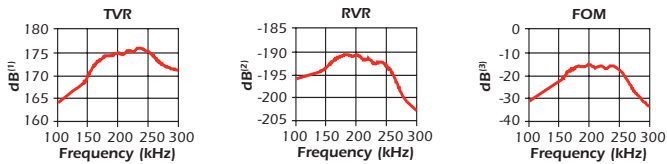
Vertical: 1E+03 V/DIV  
Horizontal: 500E-6 SEC/DIV



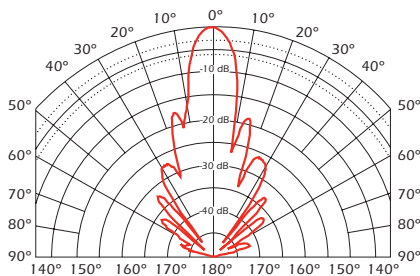
### Technical Data—200 kHz-BCIq

TVR in dB re 1 μPa/Volt at 1 m

RVR in dB re 1 Volt/μPa



### Directivity Pattern—200 kHz-BCIq



### SPECIFICATIONS

**Weight:** 1.3 kg (3 lb)

**Acoustic Window:** Urethane

**Stem Threads:** 1/2"-14 NPS

**Cable Type:** C-33

Shielded twisted pair (2-20 AWG) with braided shield, black neoprene jacket, 6 mm (17/64") diameter

### DIMENSIONS

