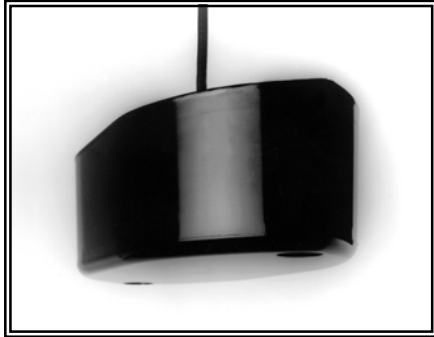




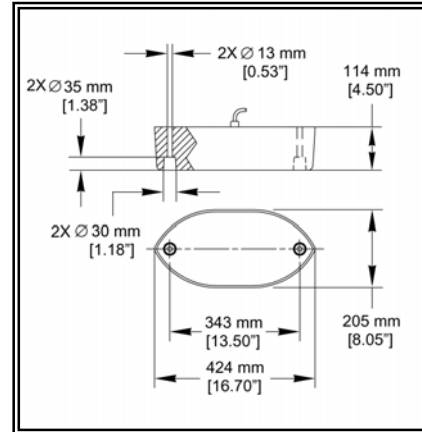
odomhydrographic.com

Odom Hydrographic Systems, Inc.
 1450 Seaboard Avenue
 Baton Rouge, LA. 70810 -6261
 225.769.3051, Facsimile 225.766.5122

OTSBB200/24-4/20



Weight = 14.5Kg.



Performance Data

Frequency	200kHz	24kHz
Beam Width	4°	20°
Q (transmit)	4	7
Rated RMS Power	2KW	1.5KW
Balanced Impedance	ohms	
Peak Figure of Merit	-6db	-9db
Bandwidth		
Acoustic Window Material	Urethane	Urethane
Cable Type	C43 (2-14 AWG)	C43 (2-14 AWG)
Cable Size	10mm	10mm

The M42 houses Odom's best selling dual frequency transducer. Compatible with any hull material, its streamlined shape is designed for over-the-side or hull mounting, but it can be adapted to sea chest installation. Durable and reliable.